

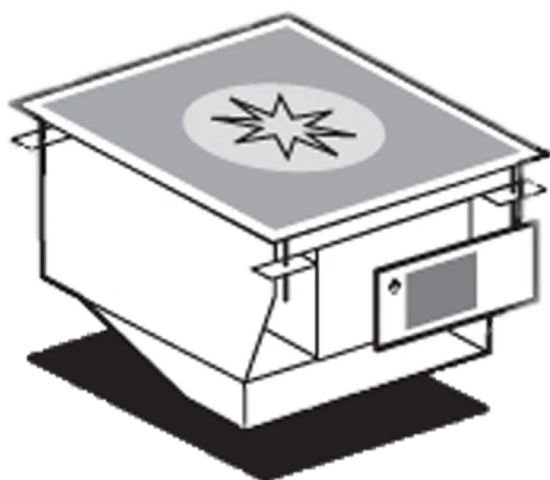
Technical data sheet

Product features



Induction stove digital 1 zone

Model	SAP Code	00013590
PCID-44ETD	A group of articles - web	Stoves



- Device type: Electric unit
- Power consumption of the zone 1 [kW]: 5
- Material: AISI 304 top plate and cladding

SAP Code	00013590	Power electric [kW]	5.000
Net Width [mm]	400	Loading	400 V / 3N - 50 Hz
Net Depth [mm]	400	Number of zones	1
Net Height [mm]	310	Power consumption of the zone 1 [kW]	5
Net Weight [kg]	12.00	Ceramic glass dimensions [mm]	350 x 350

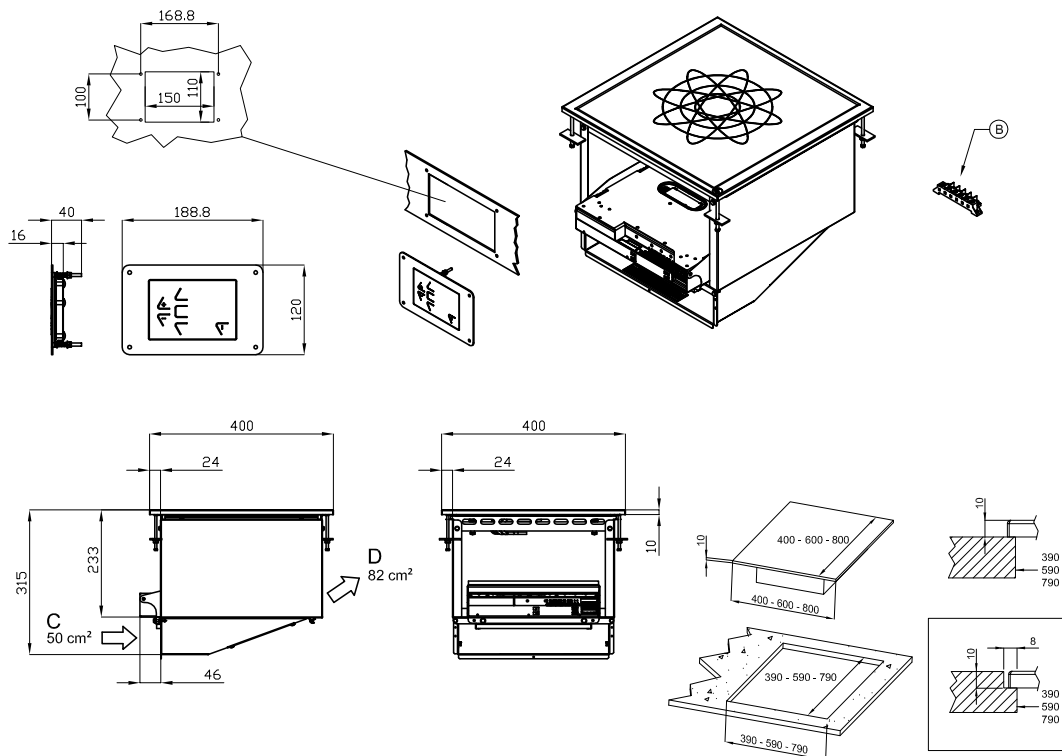
Technical data sheet

Technical drawing



Induction stove digital 1 zone

Model	SAP Code	00013590
PCID-44ETD	A group of articles - web	Stoves



A	Data plate		B	Electrical connection	
---	------------	--	---	-----------------------	--

Technical data sheet

Technical parameters



Induction stove digital 1 zone

Model	SAP Code	00013590
PCID-44ETD	A group of articles - web	Stoves

1. SAP Code:

00013590

2. Net Width [mm]:

400

3. Net Depth [mm]:

400

4. Net Height [mm]:

310

5. Net Weight [kg]:

12.00

6. Gross Width [mm]:

470

7. Gross depth [mm]:

700

8. Gross Height [mm]:

530

9. Gross Weight [kg]:

18.00

10. Device type:

Electric unit

11. Construction type of device:

Drop-in

12. Power electric [kW]:

5.000

13. Loading:

400 V / 3N - 50 Hz

14. Material:

AISI 304 top plate and cladding

15. Worktop Thickness [mm]:

2.00

16. Number of zones:

1

17. Power consumption of the zone 1 [kW]:

5

18. Power control type:

digital

19. Number of burners/hot plates:

1

20. Ceramic glass dimensions [mm]:

350 x 350

21. Cross-section of conductors CU [mm²]:

0,75

22. Glass-ceramic top thickness [mm]:

6

23. Load capacity [kg]:

60